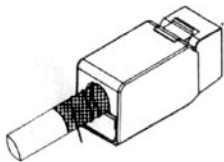
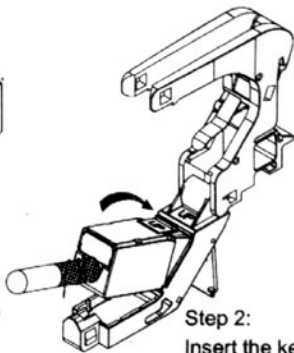


INSTALLATION SHEET



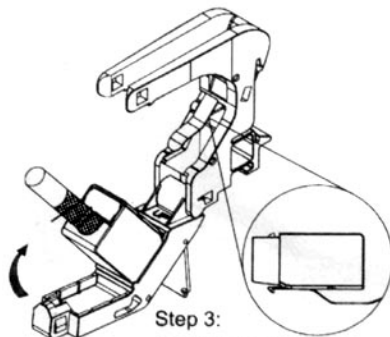
Step 1:

Properly terminate a screened keystone jack with screened cable for DIN RAIL grounding connection.



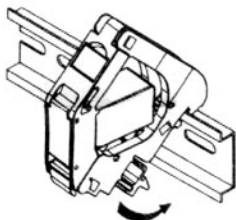
Step 2:

Insert the keystone jack into DIN RAIL module, make sure the jack latch facing up.



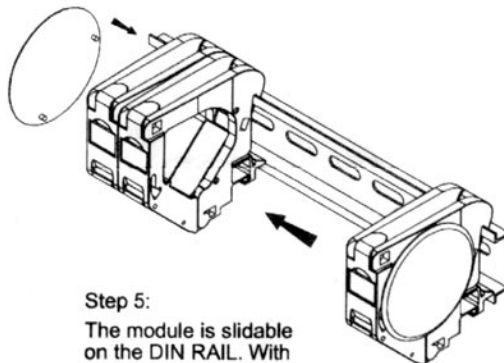
Step 3:

Lock the module and make sure the grounding spring contacts the jack to ensure grounding connection.



Step 4:

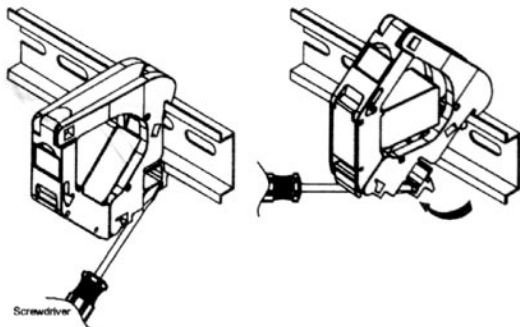
Insert the DIN RAIL module at the top and rotate to click.



Step 5:

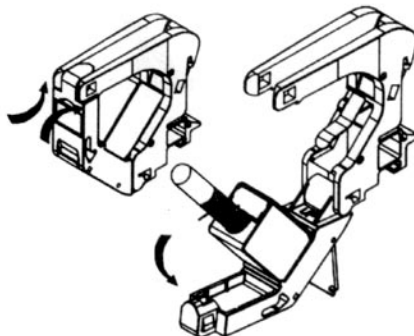
The module is slidable on the DIN RAIL. With rows of modules, covers are only needed for the right and left ends of the row.

Remove:



Insert a screwdriver into the opening at the bottom of the module and use it as a lever to pull out the module.

Open:



Use screwdrivers or fingers to open the poles at the top of the module.