

1

2

3

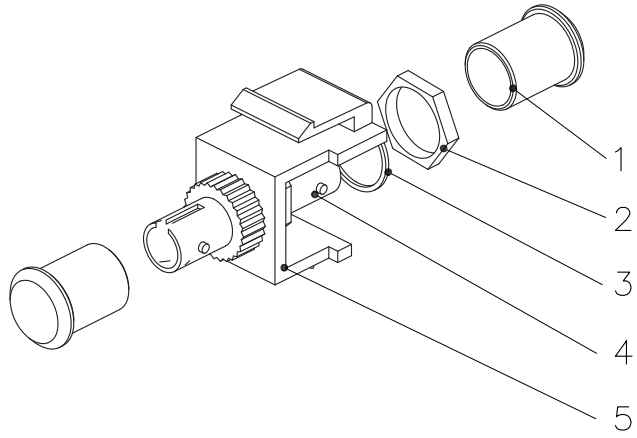
4

5

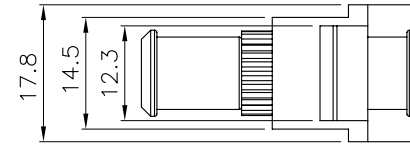
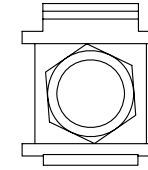
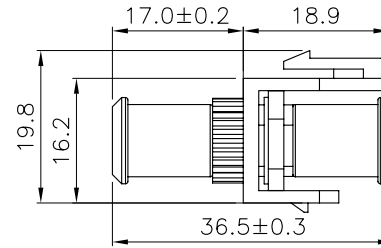
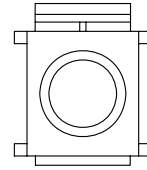
6

A

A



SCALE 1/1



B

B

C

C

### Specification :

#### Material :

- 1. Dust Cover : PP, Black color.
- 2. Nut : Brass, Nickel Plating.
- 3. Washer : Steel, Nickel Plating.
- 4. ST Housing : Zinc Alloy, Nickel Plating.
- 5. Plastic : ABS, UL 94V-0.

#### Performance :

- a. ST to ST Simplex Type.
- b. Durability : 500 cycles.
- c. Tensile Strength : 10 kgf.
- d. Insertion Loss : <0.3 dB.
- e. Operating Temperature: -20°C to +70°C.
- f. Storage Temperature: -40°C to +80°C.

D

D

GENERAL TOLERANCE OF DIMENSIONS X.XXX ±0.005 X.XX ±0.05 X.X ±0.1	DRAWING	14.Oct.2011	LSQ	<b>DEL LOCK</b> we move the world
	CHECK	14.Oct.2011	DAY	
	APPROVAL	14.Oct.2011	jaimy	ITEM NO.:
		DATE	NAME	MODULAR INSERT
SCALE	1/1 (A4)	UNIT		
	DRAWING NO.			
	DRAWING CLASSIFICATION	S	1	

1

2

0

3

4

10cm

5