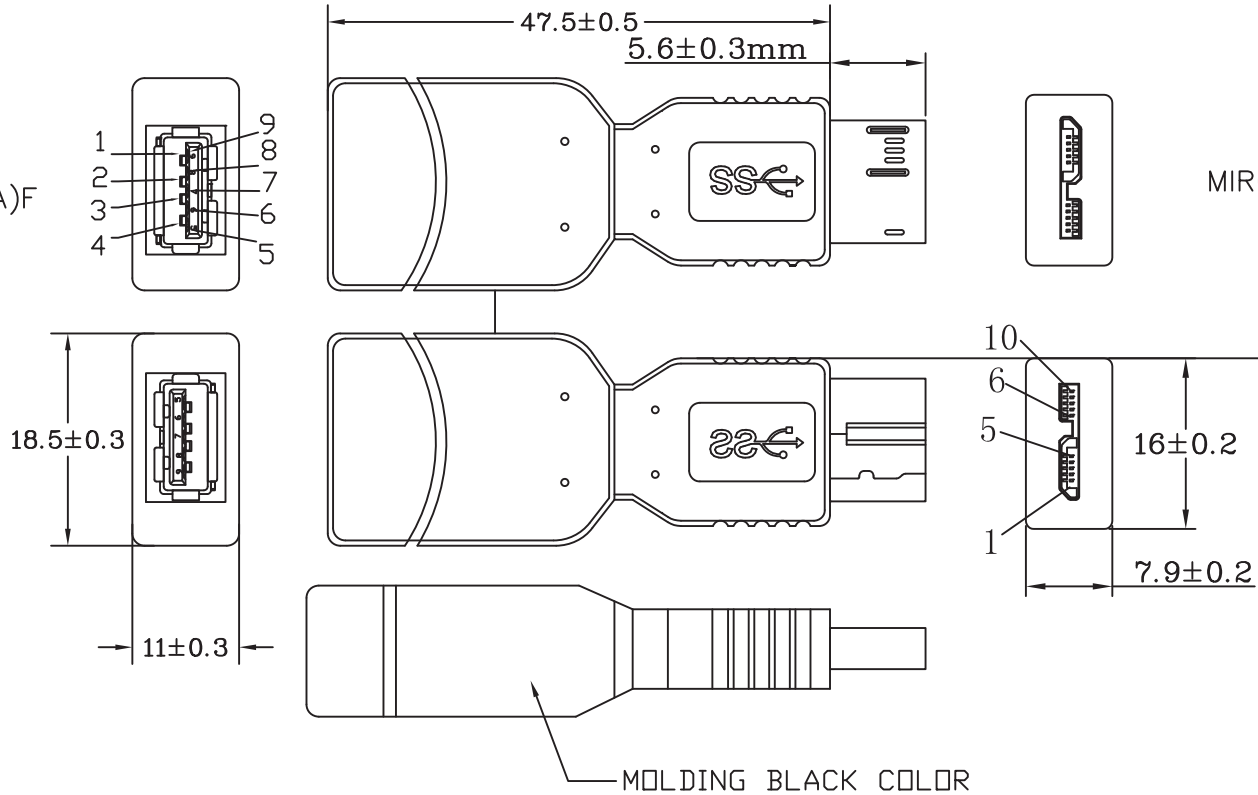


USB3.0(A)F



MIRCO USB BM 10PIN

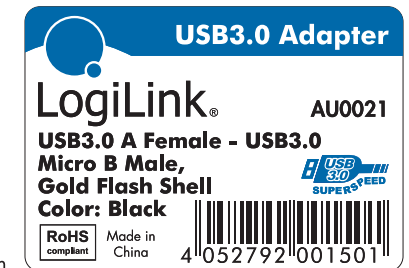
NOTE:

1. CABLE: 30AWG,UL1007.WIRE CABLE*10PCS.
2. LENGHT: 30mm*10PCS.
3. CONNECTOR: USB3.0 MICRO10P(B)M*1PC;USB3.0(A)F *1PC(BLUE INSULATION)(SHELL GOLD PLATED).
4. NOTE: CONTACTS:

USB3.0(A)F	1	2	3	4	5	6	7	8	9	64
MIRCO USB BM 10PIN	1	2	3	5	6	7	8	9	10	64
										SHELL

5. MOLD: MOLDING TYPE.
6. Test machine test condition.
 - A.100% OPEN,SHORT&INTERMITANCE TEST.
 - B.CONDUCTOR RESISTANCE: 3ohms MAX:
 - C.INSULATION RESISTANCE: 5M Min/,10ms:
7. ALL MUST BE MEET ON ROHS COMPLIANT.

Pantone 2945C, Black
 材質: 80P銅版紙,上亮PP(光膠)
 Label Size: 50 x 35 mm R= 2mm



PACKING: 1PCS/PE BAG+LABEL(4052792001501),
 50PCS/BIG BAG.

COMPANY			ITEM NO.	AU0021	NO				SCALE	NON
REVISION	DATE	DISCRIPTION	DRAWN BY						UNIT(mm)	
REV.A/0	2012.02.24	C14-1202003	DESIGNED BY			USB3.0 A Female - USB3.0 Micro B Male	2direct GmbH		PAGE	1/1
			APPROVAL BY			Gold Flash Shell				