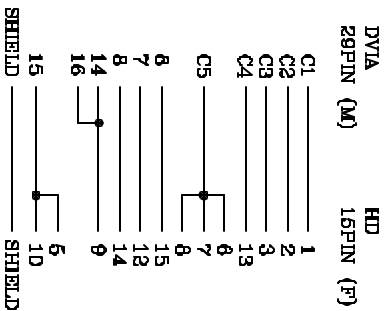
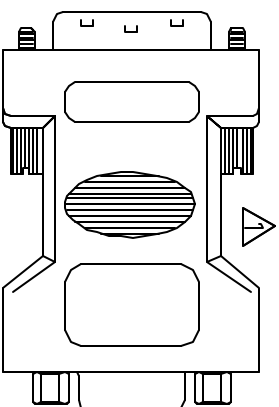
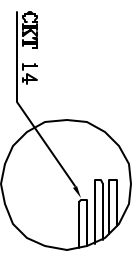
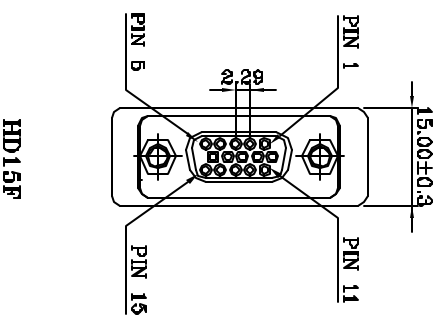
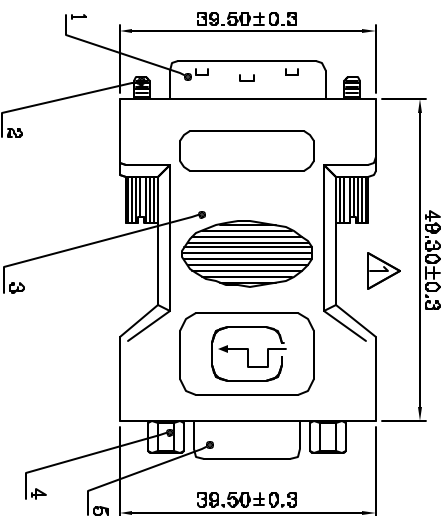
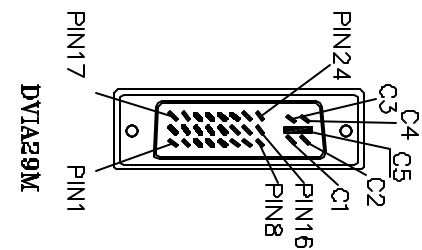


ROHS-COMPLIANT

WIRB DIAGRAM



DVI_A(KM)
PLASTIC: BLACK



BACK SIDE

- 100% OPEN / SHORT / INSULATING TEST
- INSULATION TEST: 5MΩ
- PACKING: <1> EACH PC / POLYBAG + EAN CODE LABEL & ROHS LABEL
- EAN CODE: 4290113590167

COMPONENTS	DESCRIPTION	Q'TY
1 DVI A29M	DVI-Analog 29P Male Connector Insulator: High Temperature Plastic UL-94V-0 Contact: Brass Shell: Steel With Tin Plated 150µ" Over Contact Plating: G/F Selective Plating And Tin/LEAD On Solder Cup All With Nickel Underplating	1
2 Jack Screw	UNC #4-40 Nickel Plated	2
3 Hood	F.V.C Molded Color: Black(NK-K01) Inner Molded With Copper Foil Shielded	1
4 Screw Lock	UNC #4-40 Nickel Plated	2
5 HD16F	D-SUB High Density 2.29mm 16P Female Connector Shell: Steel Nickel Plated Insulator: Black P.B.T Contact: Brass G/F Gold Plated	1

Tolerance	Inch	M/M
X	.015	.30
.XX	.010	.10
.XXX	.005	.05

Drawn: **FANATIC 04/21/08**
Check: _____
Engr: _____

Customer P/N: AD0001

App'd: _____ Customer: _____

Scale: NONE Units: m/r
Dwg No. 160-1294 REV: B Sheet 1/2

2DIRECT GMBH

Title: DVI_I/M - VGA/F ADAPTOR

LTR	REV.	DESCRIPTION	DATE
A*2	B	ECN # 060421-3 EDIT LOCC	04/21/06