

Keystone Coupler Fibre SC-Simplex Multimode

Part no.: NK0035

Technical Features

For multimode fiber with SC connector

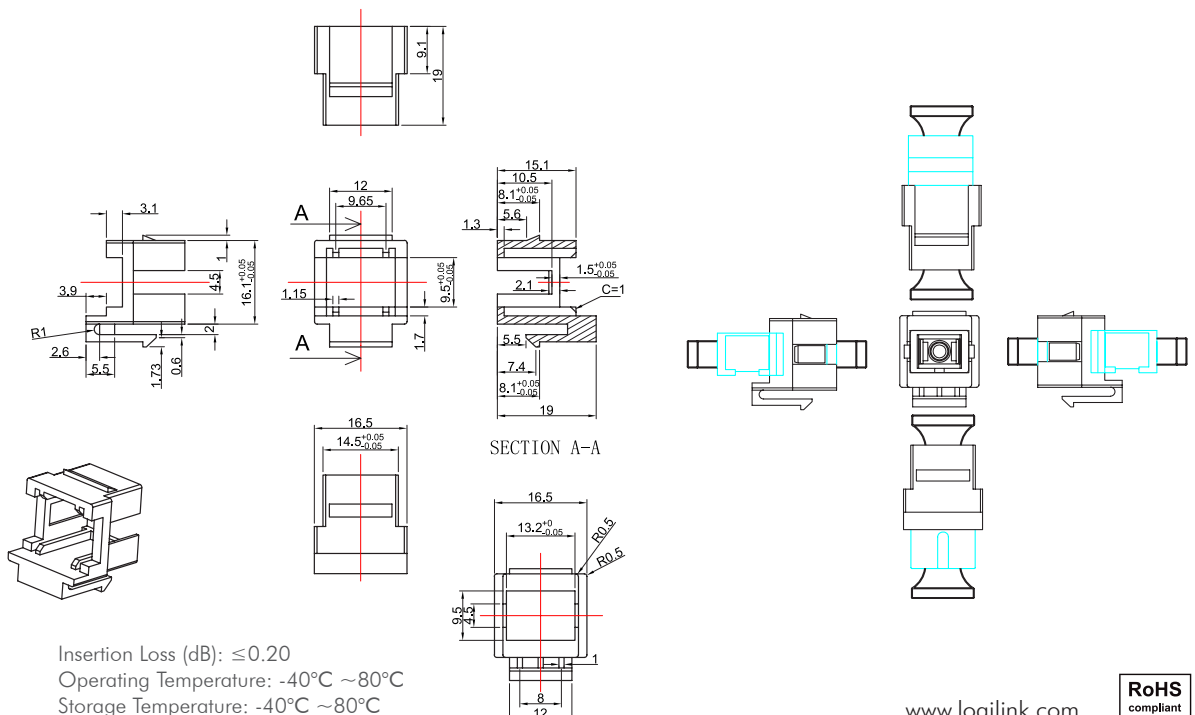
SC simplex female to female

Ceramic sleeve, with dust cover

Snap-in mounting, without flange

Color: aqua/white

Technical Drawings



NK0035



4 052792 058130

Made in China

Insertion Loss (dB): ≤ 0.20
 Operating Temperature: $-40^{\circ}\text{C} \sim 80^{\circ}\text{C}$
 Storage Temperature: $-40^{\circ}\text{C} \sim 80^{\circ}\text{C}$

www.logilink.com



*The specifications and pictures are subject to change without prior notice.
 *All trade names referenced are the registered trademarks of their respective owners.

Package Contents

Keystone Coupler Fibre SC-Simplex Multimode x 1

Packaging Informations

Packing Dimension	105 x 70mm
Packing Weight	0.007kg
Carton Dimension	450 x 250 x 235mm
Carton Q'ty	400pcs
Carton Weight	3.4kg



NK0035



4 052792 058130

Made in China

www.logilink.com



*The specifications and pictures are subject to change without prior notice.
*All trade names referenced are the registered trademarks of their respective owners.