



Cat.8.1/Cat.6A RJ45 Modular Plug, Shielded

Features

For shielded cable Cat.6A, Cat.7, Cat.7A and Cat.8.1

Suitable for round cable with max. OD of 8mm

Used for isolated wire OD: 1.2-1.45mm

For solid and stranded cable 22AWG-24AWG

Contacts: Pins 50 μ gold plating

Shell: Copper nickel plating

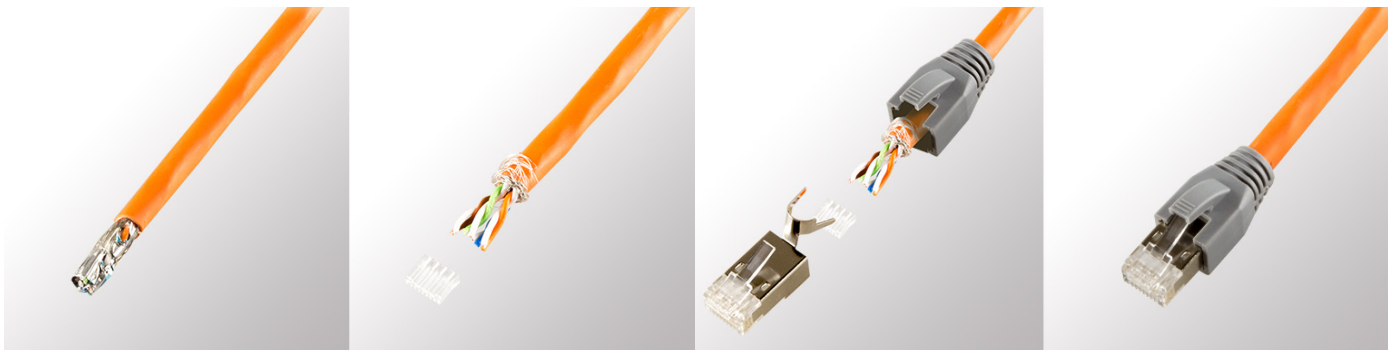
Housing: PC UL94V-2, transparent color

Withstand tension up to 20kg after assembly

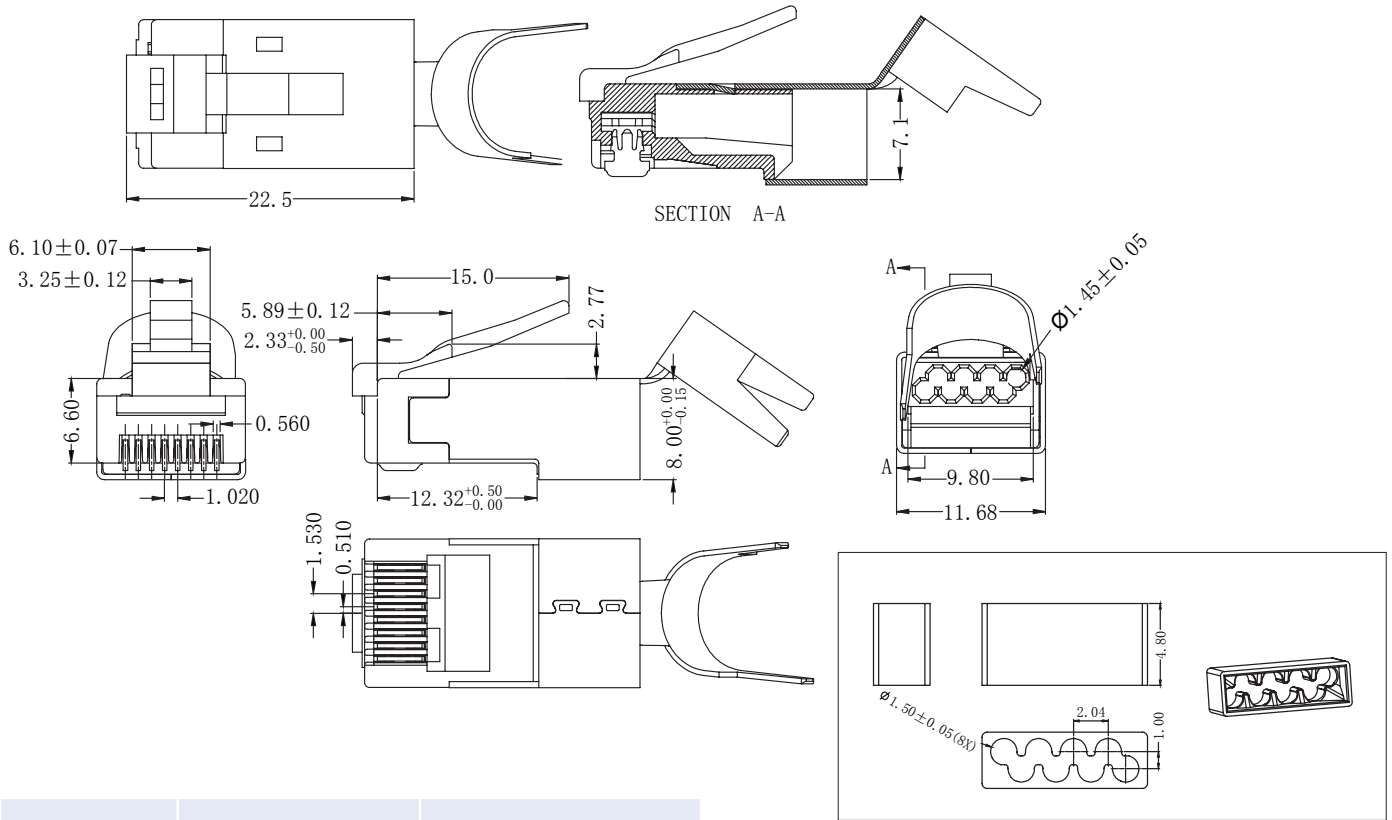
Guide plate included for easy wire installing

Suitable strain relief boot: MP0034 or MP0035

Proper Tools: WZ0029 + WZ0032



Technical Drawing



Art-No.	Packing	EAN Code
MP0030	10pcs/Bag	4052792033076
MP0033	50pcs/Bag	4052792033083

Package Content

Cat.8.1/Cat.6A RJ45 Modular Plug

Packaging Information

Art-No.	Packing Dimension	Packing Weight	Carton Dimension	Carton Q'ty	Carton Weight
MP0030	100 x 80 x 20mm	0.032kg	415 x 395 x 335mm	500pcs	18kg
MP0033	160 x 120 x 50mm	0.15kg	430 x 345 x 290mm	100pcs	15.2kg

www.logilink.de



RoHS
compliant



Made in China

* The specifications and pictures are subject to change without notice.
*All trade names referenced are the registered trademark of their respective owners.