

## Field Assembly RJ45 Plug Cat.8.1 PrimeLine

Art no.: MP0081

### Technical Features

Cat.8.1 Class I ISO/IEC TR11801-9901-2014

ANSI/TIA 568-C.2-1, IEC 60603-7

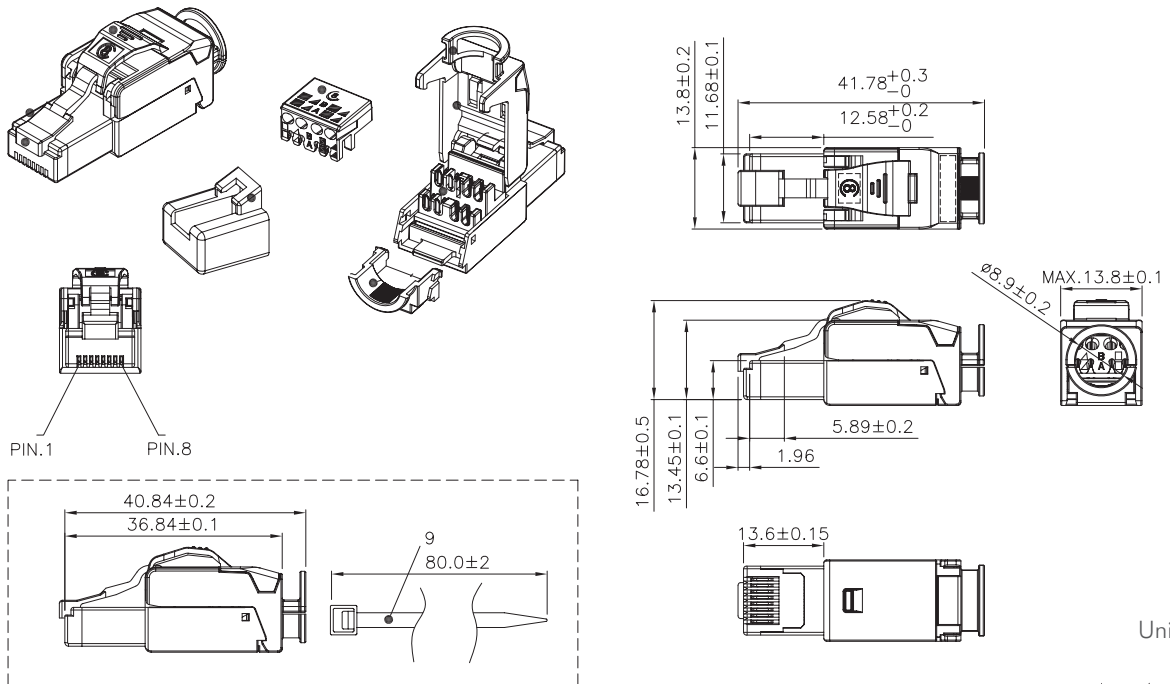
Fully shielded zinc die-cast housing

For Cat.8.1: Solid wire, 22-24AWG / Cable OD 7.0-8.9mm and Cat.6A: Solid & stranded wire, 23-26AWG / Cable OD 6.0-7.5mm

Pin assignment: T568A & T568B

Suitable for Power over Ethernet IEEE 802.3af/at/bt

### Technical Drawings



Unit: mm

MP0081



4 052792 048070

Made in China

www.logilink.com



RoHS  
compliant

\* The specifications and pictures are subject to change without notice.  
\*All trade names referenced are the registered trademark of their respective owners.

## Package Content

Cat 8.1 Field Assembly RJ45 Plug x 1

## Packaging Information

Packing Dimension	10 x 12 x 0.04mm
Packing Weight	0.0237kg
Carton Dimension	480 x 390 x 253mm
Carton Q'ty	500pcs
Carton Weight	11.9kg



MP0081



Made in China

[www.logilink.com](http://www.logilink.com)



RoHS  
compliant

\* The specifications and pictures are subject to change without notice.  
\*All trade names referenced are the registered trademark of their respective owners.