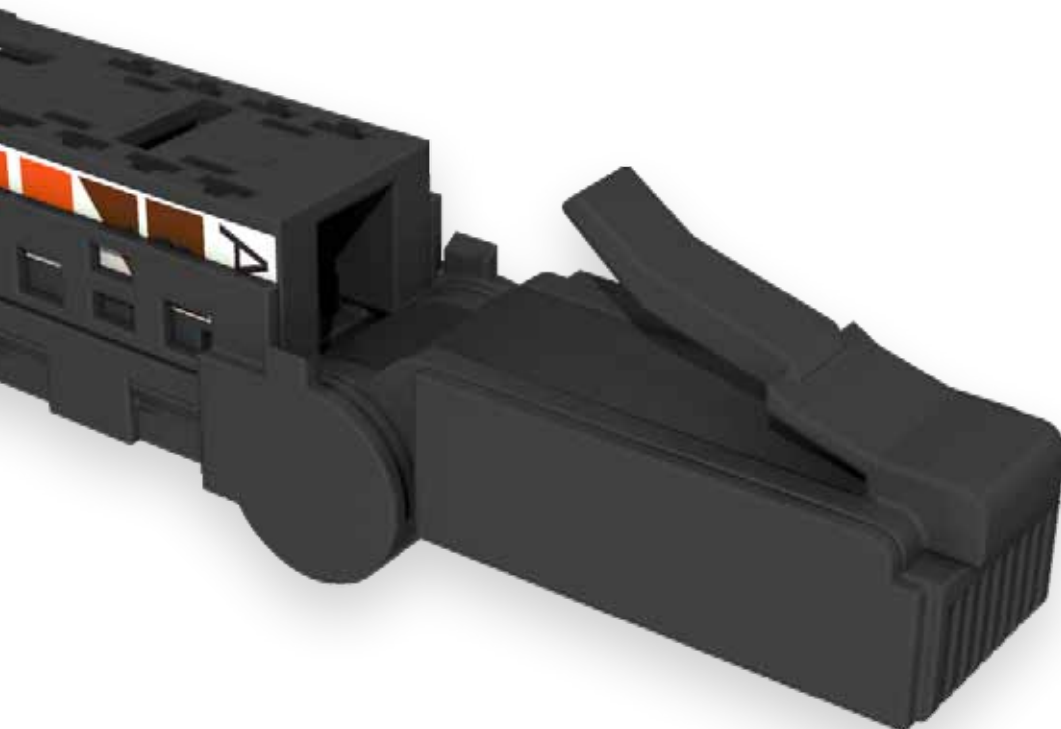




Smart and simple cabling solutions

## **ROTATIVE MULTI APPLICATION PLUG**

*Ultra compact - Simple field termination*



member of the TKH Group <

# ROTATIVE MULTI APPLICATION PLUG

## AN INNOVATION ANSWERING NEW NEEDS

The development of IP applications for CCTV, Access Control; WIFI access points, Audio, TV, Video .... means that data cables are now used in new conditions. This directly impacts the way cables are terminated

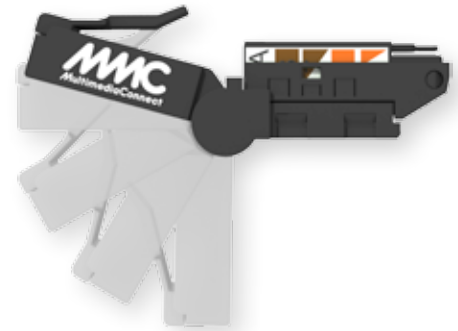
- Direct field termination for solid core wires
- Limited space
- High performances require CAT6 and CAT6A cables

Traditional plugs are often not compatible with AWG23 solid core wires and their termination requires specific crimping tool and practice.

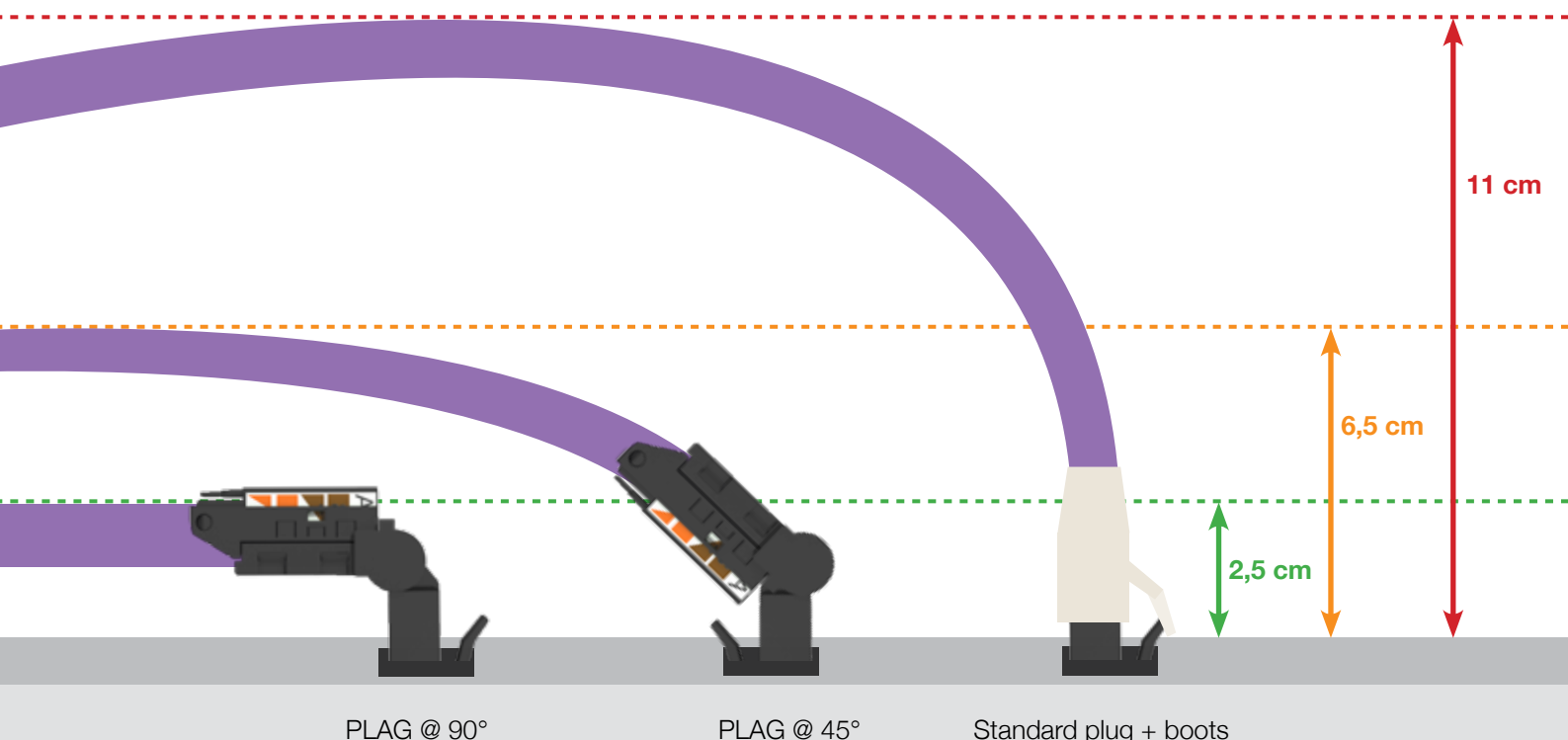
In partnership with an international University, MMC has developed a unique solution : The Rotative Multi application plug. This patented innovation overcomes most of the problems encountered for the field termination of un-shielded solid core cables. Ultra compact, toolless terminated, exceeding transmission standards up to Class Ea / CAT6a Channel.

## ULTRA COMPACT

- Rotative head with 135 ° angle
- Enable connection where space is limited (down to 26 mm) while respecting cable minimum bending radius (essential for link performance).
- The rotation of the head is guaranteed for up to 50 cycles. This product is designed for static applications only.



Space requested for cable exit: MMC rotative plug vs standard plug



## SIMPLE TOOL LESS FIELD TERMINATION

- Tool less termination – No need for crimping tool
- Compatible with solid core wires from AWG26 up to AWG22 (Not adapted to stranded core wires)
- Colour codes clearly indicated ( 568A & 568B)
- Cable ties
- Termination time : 1 minute 40 seconds

## SIMPLE TERMINATION PROCESS

(Video available on [www.multimedia-connect.fr](http://www.multimedia-connect.fr))



## HIGH PERFORMANCE – HIGH QUALITY

Electrical Performance :

- Category 6a / Class Ea performance (Channel)
  - Amd 1.0 ISO 11801 Channel Class Ea
  - EIA TIA 568-C.2 Channel Cat 6A
- Compatible with CAT5e / Class D and Cat6 / Class E unshielded links
- Compatible with PEO and POEPlus standards

Technical Characteristics :

- Flexible PCB
- Gold plated contacts
  - Gold plating integrated on the PCB
  - Accept over 500 Mating/de-mating cycles
- Termination with IDC technology
- Material : plastic
- Size : 13.6 x 50.5 x 8
- Weight : 6g



## ORDERING INFORMATION

ITEM	DESCRIPTION
PLAG6ANB	Multi Application Rotative plug





[www.multimedia-connect.fr](http://www.multimedia-connect.fr)

**Factory and Headquarters**

MULTIMEDIA CONNECT  
8, rue des Biches  
74100 Ville la Grand  
France

**Commercial department**

MULTIMEDIA CONNECT  
ZAC des Hauts de Wissous  
« Air Park de Paris »  
Bâtiment le Cormoran  
3 rue Jeanne Garnerin  
91320 Wissous  
France  
T: +33 (0) 1 69 79 39 80  
F: +33 (0) 1 64 48 29 84



member of the TKH Group <