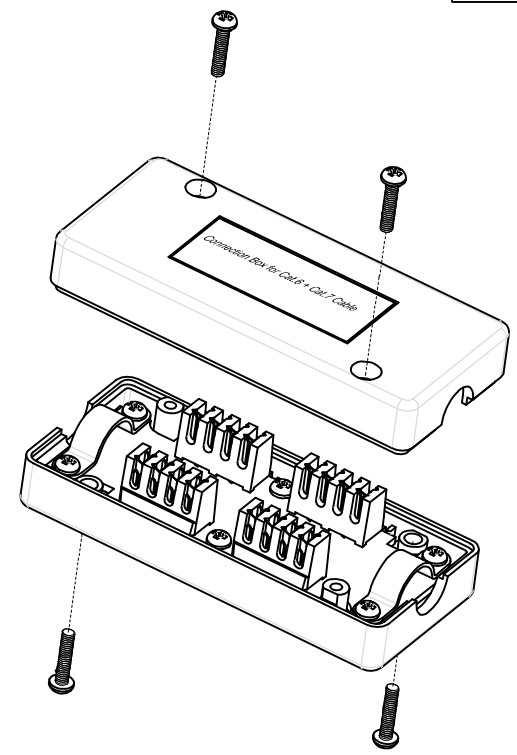
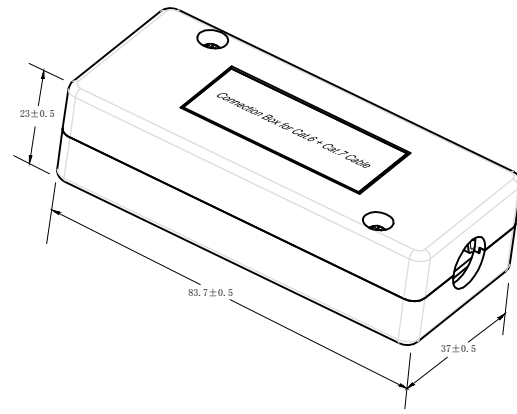


PIN OUT:

W-BR	BR	W-BR	BR	W-BL	BL	W-BL	BL
7	8	7	8	4	5	4	5
W-G	G	W-G	G	W-O	O	W-O	O
3	6	3	6	1	2	1	2
W-G	G	W-G	G	W-O	O	W-O	O
3	6	3	6	1	2	1	2
W-BR	BR	W-BR	BR	W-BL	BL	W-BL	BL
7	8	7	8	4	5	4	5

A2



Electrical Specifications:

Insulation Resistance: 500mm ohms (min.)
 Contact Resistance: 20m ohms (max.)
 Current Rating: 1.5 Amps
 Withstanding Voltage: 1000 VAC RMS@60Hz/1 min.

Environmental:

Operation temperature: -10°C ~ +70°C
 Storage temperature: -40°C ~ +85°C

Accessory:

1. Screw-type Strain Relf (ST2.9X12 4PCS, ST2.9X5 4PCS, ST2.9X13.5 2PCS)
 2. Cable Inlet (4Pcs.)
 3. With Adhesive Tapes For Fixing
 4. Instruction Sheet
- PACKING: 1PCS/PE BAG+LABEL, 400PCS/Carton
 RoHS2.0 AND REACH COMPLIANT

⑤	Box Cover	Fireproof PC/ABS U1-94V0 (black)/Inside metalized	1	
④	Box Base	Fireproof PC/ABS U1-94V0 (black)/Inside metalized	1	
③	PCB	FR-4/1.6mm UL-94V0	1	
②	IDC Pin	Bronze & Tinned	16	
①	IDC teminal	For 22-26 AWG Cable	16	
NO.	PARTS NAME	SPECIFICATION STANDARD	QT' Y	REMARK
		NEW	2016. 01. 21	A
BY	CHK	REVISION RECORD MODIFICATIONS	DATE	REV.

LogiLink Professional					
			2Direct Gmbh	FILE NO.	NP0012B
PRODUCT NAME	CAT.6+ Connection box			UNIT	MM
DRAWNBY		CHECKBY	APPOBY	DATE	
				2016. 01. 21	